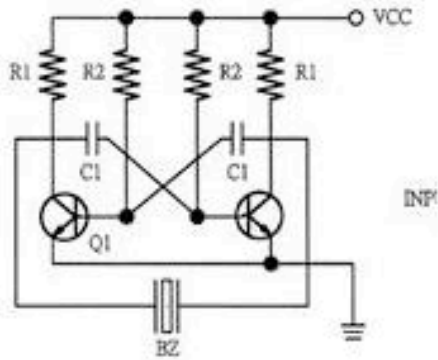
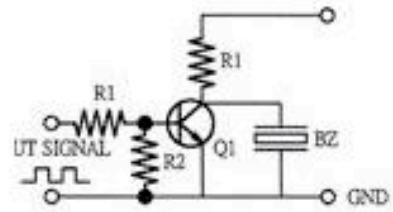


Soberton Inc.

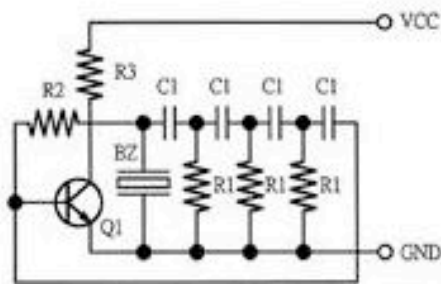
RECOMMENDED CIRCUITS



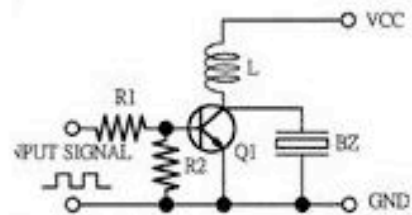
Multi-Vibrator Type



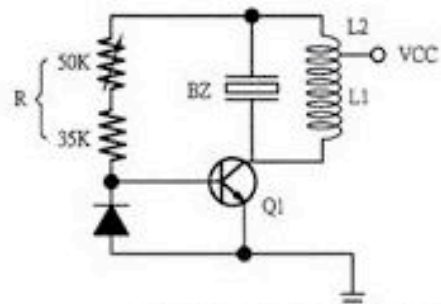
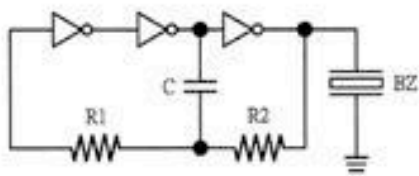
Load Resistance Type



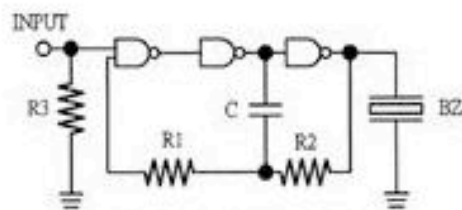
Phase-Shifter Type



Load Resistance Type



Blocking Oscillation Type



IC Oscillation Circuit